

ULTRA Light Disk LED

Recessed and Surface Mount Downlight Kit



Key Features & Benefits

- Lumen package:
 - 900 lumens @ 13 watts
 - 1100 lumens @ 13 watts
- Replacement for up to 120W incandescent lamps
- Fits into most 4", 5" and 6" recessed downlight fixtures
- Surface mount to standard 4" J-Box or using Connector Box
- CCT: 3000K, 5000K
- CRI of 90
- Dimmable down to 20%*
- 50,000 hours life (L₇₀)
- Suitable for dry, damp and wet locations
- Reduces energy consumption up to 87%
- Lasts up to 25 times longer than incandescent lamps
- No warm-up time, instant-on with full light output and stable lamp to lamp color
- Integrated white trim and medium base for direct replacement
- Suitable for use in closets, compliant with NFPA 70, NEC section 410.16 (A)(3) and 410.16 (C)(5)

Key Features & Benefits

The SYLVANIA ULTRA Light Disk is an LED downlight kit creating high performing white light and is optimized for new construction and retrofit applications. Multiple installation options for both recessed and surface mount applications. Installation is done quickly and easily in most standard four-inch, five-inch and six-inch Insulated Ceiling (IC) housings, Airtight (AT) housings and non-IC housings. It can also be surface mounted to standard 4-inch J-Box or using specially designed Connector Box.

Dimming

The SYLVANIA ULTRA Light Disk is dimmable to 20% with standard 120V electronic low voltage dimmers (recommended), incandescent or magnetic low voltage dimmers. In some cases, standard incandescent dimmers require a minimum load of typically >40 watts on the circuit for full range dimming performance (four LED modules). For dimming with digital (smart) multi-location dimmers or when dimming fewer than four LED modules, electronic low-voltage (ELV) dimmers are required (some ELV dimmers need a neutral connection in the wallbox).

Application Information

Applications

- Healthcare
- Hospitality
- Office
- Property Management
- Residential
- Retail

Quality of Light

The SYLVANIA ULTRA Light Disk provides good color rendering (90 CRI), and color temperatures of 3000K and 5000K. LEDs have virtually no UV or infrared radiation to damage or fade furnishings, art or other objects.

Optical Design

Optical design efficiently directs light output in an 120° beam angle with low glare.

* Performance may vary depending on dimmer use in application. Please refer to Dimmer Compatibility List (RETRO-DIM) for a list of compatible dimmers or visit www.sylvania.com/LightDisk

Product Offering

| Lumen Output | Wattage | Color Temperature | CRI |
|--------------|---------|-------------------|-----|
| 900 | 13 | 3000K | 90 |
| 1100 | 13 | 5000K | 90 |

Specifications and Certifications



Specification Data

| | |
|-------------|------|
| Catalog # | Type |
| Project | |
| Comments | |
| Prepared by | |

Specifications

Energy Data

Minimum Starting Temp: -20°C (-4°F)
 EMI/RFI: FCC Title 47 CFR, Part 15, Class B
 Sound Rating: <24dBA
 Input Voltage: 120V
 Input Frequency: 60Hz
 Power Factor: >0.90
 THD: <20%

Input Power: 13W

Input Current: 0.08A & 0.1A
 Maximum Ambient Operating Temperature (Insulated Ceiling): 40°C (104°F)
 Maximum Ambient Operating Temperature (Non-Insulated Ceiling): 40°C (104°F)

Lighting Data

Lumen Output: 900, 1100
 Wattage: 13
 Lumens per Watt: 84

Color

Correlated Color Temperature (CCT): 3000K, 5000K
 Color Rendering Index (CRI): 90
 R9: 13

Ordering Information

| Item Number | Ordering Abbreviation | Recessed Housing | J-Box Size | Replaced Incandescent Wattage (W) | Nominal Wattage (W) | Delivered Light Output (lm) | Color Temperature | CRI | Avg. Rated Life (hrs.)* |
|-------------|-------------------------|------------------|------------|-----------------------------------|---------------------|-----------------------------|-------------------|-----|-------------------------|
| 75044 | LEDLD/900/930/FL120 | 4", 5" & 6" | 4" | 100 | 13 | 900 | 3000K | 90 | 50,000 |
| 75045 | LED/LD/900/930/FL120/RP | 4", 5" & 6" | 4" | 100 | 13 | 900 | 3000K | 90 | 50,000 |
| 75046 | LED/1100/LD/950/FL120 | 4", 5" & 6" | 4" | 120 | 13 | 1100 | 5000K | 90 | 50,000 |

* LED lamp life is defined as the number of hours when 50% of an average group of identical lamps reached 70% of initial lumens.
 Beam angle = 120°

Ordering Guide

| LED | / | 900 | / | LD | / | 9 | / | 30 | / | FL | / | 120 |
|-----|---|-----------------------|---|----------------------------|---|---------|---|-------------------------------------|---|-------|---|--------------------|
| LED | | Light Output 900lm | | Product Name Light Disk | | CRI >90 | | Color Temperature 3000K 5000K | | Flood | | Beam Angle 120° |

Energy Savings

| Basic Product Description | LED Lumens | LED Life | Traditional Lamp Types | Lumens | Life | Watts Saved With LD | LD Energy Savings* | LD Life Benefit |
|---------------------------|------------|----------|-----------------------------|--------|------|---------------------|--------------------|-----------------|
| Light Disk | 900 | 50,000 | Incandescent 100BR40 | 935 | 2000 | 87 | \$478 | 25x |
| | | | Halogen 75WPAR38/WFL | 1060 | 2500 | 62 | \$341 | 20x |
| | | | Compact Fluorescent 16WBR30 | 750 | 8000 | 3 | \$16 | 6.25x |
| Light Disk | 1100 | 50,000 | 120W Incandescent | 1150 | 2000 | 107 | \$588 | 25x |
| | | | Halogen 75WPAR38 | 1060 | 2000 | 62 | \$341 | 20x |
| | | | 23W Compact Fluorescent | 1250 | 8000 | 10 | \$55 | 6.25x |

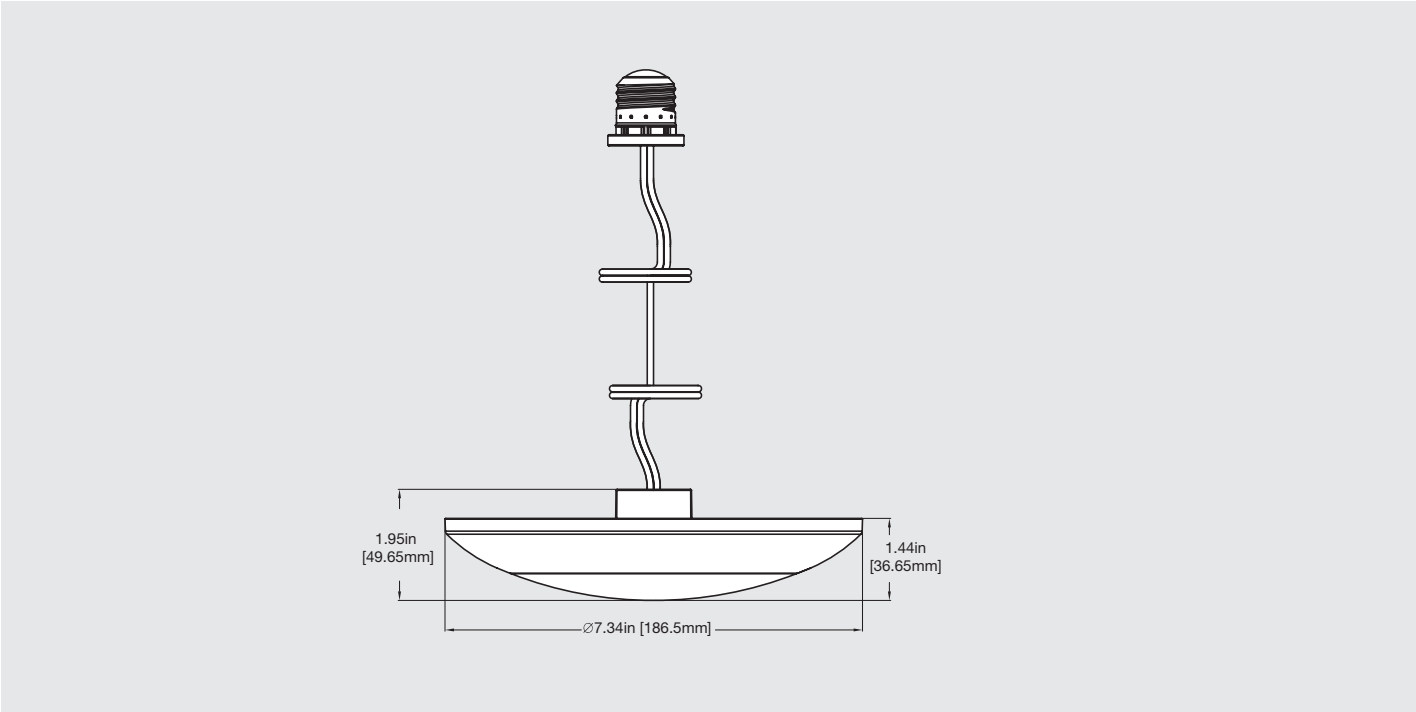
* Based on \$0.11/kWh over 35,000 hours life.

Application Information

Application Notes

- Operating temperature range between -4°F and +104°F (-20°C and +40°C).
- Complies with cULus Wet location listed, ceiling only (shower rated), and Damp location listed ceiling and wall.
- Suitable for dimmers or in housings controlled by a dimmer – see www.sylvania.com for detailed dimmer compatibility list.
- Not intended for use with emergency light fixtures or exit lights.
- For use in housings that can structurally support a lamp weighing one pound.
- Designed to install in standard 4", 5" & 6" insulated and non-insulated housings or with standard 4" J-Box (not included) or using Connector Box (sold separately). For a list of compatible housings, please refer to www.sylvania.com.
- For detailed warranty information, please see www.sylvania.com/LightDisk.
- Compatible with Philips Bodine ELI-S-20 Emergency Lighting Micro Inverter, IOTA model IIS-375-LED and LVS CEPS-350-VOLT.

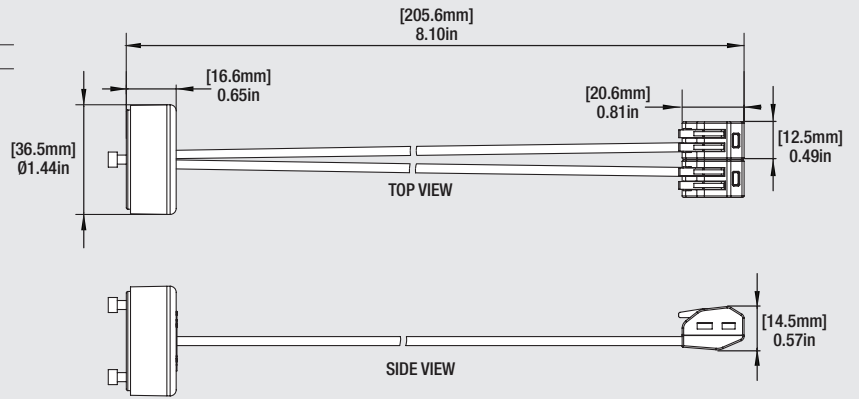
Assembly Diagram



Accessories

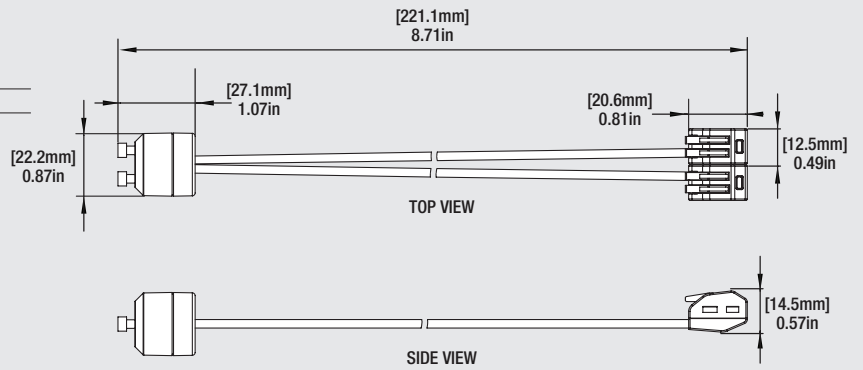
GU24 Socket Adaptor

75105 LD/GU24/ADAPTOR (sold separately)



GU10 Socket Adaptor

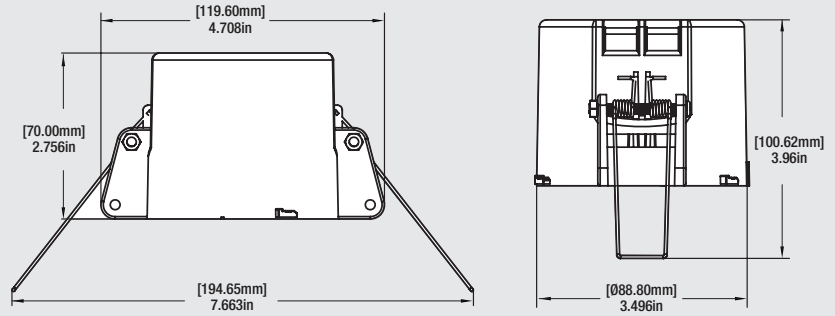
75106 LD/GU10/ADAPTOR (sold separately)



Accessories

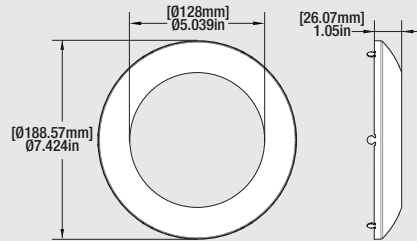
Connector Box

75104 LD/CONNECTOR/BOX (sold separately)



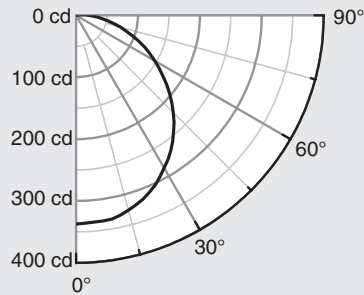
Retrofit Trim

75100 LD/TRIM/BLK (Black)
 75101 LD/TRIM/ORBZ (Bronze)
 75102 LD/TRIM/SN (Satin Nickel)



Photometric Information

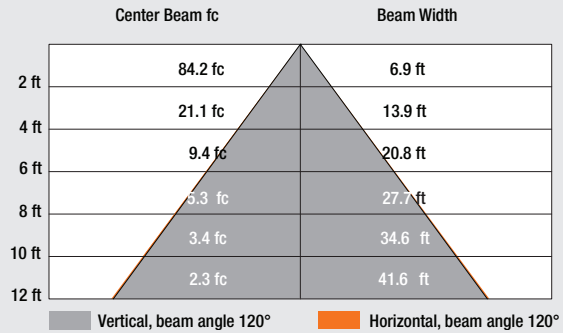
Polar Chart



Zonal Lumen Distribution

| Zone | Lumens | % Fixture |
|--------|--------|-----------|
| 0-30 | 258 | 27.6 |
| 0-40 | 418 | 44.7 |
| 0-60 | 721 | 77.2 |
| 60-90 | 205 | 22 |
| 0-90 | 926 | 99.2 |
| 90-180 | 7.7 | 0.8 |
| 0-180 | 934 | 100 |

Illuminance at a Distance



Spacing to Mounting Height Ratio

| | |
|-----------------------------|------|
| Spacing Criteria (0-180°) | 1.24 |
| Spacing Criteria (90-270°) | 1.24 |
| Spacing Criteria (Diagonal) | 1.34 |

LEDVANCE LLC
 200 Ballardvale Street
 Wilmington, MA 01887 USA
 Phone 1-800-LIGHTBULB (1-800-544-4828)
 www.sylvania.com

SYLVANIA and LEDVANCE are registered trademarks.
 All other trademarks are those of their respective owners.
 Licensee of product trademark SYLVANIA in general lighting.
 Specifications subject to change without notice.

[/sylvania](https://twitter.com/sylvania) [/sylvania](https://facebook.com/sylvania)

