

ULTRA LED™ RT8

Recessed Downlight Kit



The SYLVANIA ULTRA LED RT8 unit is an eight-inch LED recessed downlight kit creating high performing white light which is optimized for new construction and retrofit applications. Installation is done quickly and easily in most standard eight-inch frames.

Quality of Light

The SYLVANIA ULTRA LED RT8 provides excellent color rendering (up to 90 CRI), and a wide selection of color temperatures (3000K, 3500K, 4000K, 5000K). LEDs have virtually no UV or infrared radiation to damage or fade furnishings, art or other objects.

Optical Design

Optical design efficiently directs light output in an 80° beam angle with low glare.

Application Information

Applications

- Healthcare
- Hospitality
- Office
- Property Management
- Residential
- Retail

Key Features & Benefits

- 0-10V Dimmable Lumen Packages:
 - 2000 lumens @ 24W (120/277V)
 - 3000 lumens @ 40W (120/277V)
 - 5000 lumens @ 54W (120/277V)
 - 8000 lumens @ 92W (120/277V)
- Non-Dimmable Lumen Packages:
 - 2000 lumens @ 23W (347V)
 - 5000 lumens @ 50W (347V)
- Replacement for 32W and 42W CFL pin base lamps
- Fits in standard 8" CFL mounting frame
- CCT: 3000K, 3500K, 4000K, 5000K (see offerings below)
- CRI of up to 90
- 50,000 hour life (L₇₀)
- Suitable for dry, damp and wet locations
- UL1598 Listed and Classified for stand-alone and retrofit applications
- Reduces energy consumption up to 50%
- 120-277V or 347V input voltage
- Lasts up to 3 times longer than CFL pin base lamps
- No warm-up time, instant-on with full light output and stable lamp to lamp color
- Integrated white trim, white baffle reflector and metal conduit adaptor (included) for direct replacement
- Suitable for use in 10" applications using optional trim extender accessory
- Conduit attached for easy installation
- 8000lm product has a remote driver

Product Offering

Ordering Abbreviation	Wattage	Color Temperature	CRI
LED/RT8/2000	24	3000K, 3500K, 4000K	82
LED/RT8/2000-347V	23	3000K, 4000K, 5000K	82
LED/RT8/3000	40	3000K, 3500K, 4000K	90
LED/RT8/5000	54	3000K, 3500K, 4000K	82
LED/RT8/8000	92	3000K, 3500K, 4000K	82
LED/RT8/5000-347V	50	4000K	82

Specifications and Certifications



Catalog #	Type
Project/Job	
SYLVANIA Lamp	
SYLVANIA Ballast	
Prepared by	

Specifications

Energy Data

Minimum Starting Temp: 0°C to -20°C (32°F to -4°F)

EMI/RFI: FCC Title 47 CFR, Part 15, Class B

Sound Rating: <24dBA

Input Voltage: 120-277V & 347V

Power Factor: >0.90

Input Frequency: 60Hz

THD: <20%

Input Power: 23W, 24W, 40W, 50W, 54W, 92W

Maximum Ambient Operating Temperature (Non-Insulated Ceiling): 40°C (104°F)

Lighting Data

Lumen Output: 2000, 3000, 5000, 8000

Lumens per Watt: Up to 100

Color

Correlated Color Temperature (CCT): 3000K, 3500K, 4000K, 5000K

Color Rendering Index (CRI): 82, 90

R9: 15

Product Weight: 2.3 lbs.

Ordering Information

Item Number	Ordering Abbreviation	Input Voltage (V)	Recessed Housing	Replaced CFL Wattage	Nominal Wattage (W)	Delivered Light Output (lm)	LPW	Color Temperature	CRI	Avg. Rated Life (hrs.)*	Dimmable
74466	LED/RT8/2000/830	120-277	8"	2x26W CFL	24	2000	83	3000K	82	50,000	Yes (0-10V Low Voltage)
74467	LED/RT8/2000/835	120-277	8"	2x26W CFL	24	2000	83	3500K	82	50,000	Yes (0-10V Low Voltage)
74468	LED/RT8/2000/840	120-277	8"	2x26W CFL	24	2000	83	4000K	82	50,000	Yes (0-10V Low Voltage)
75397	LED/RT8/2000/830/347V	347	8"	2x26W CFL	23	2000	86	3000K	82	50,000	No
75398	LED/RT8/2000/840/347V	347	8"	2x26W CFL	23	2000	86	4000K	82	50,000	No
75399	LED/RT8/2000/850/347V	347	8"	2x26W CFL	23	2000	86	5000K	82	50,000	No
72625	LED/RT8/3000/930	120-277	8"	2x26W CFL	40	3000	75	3000K	90	50,000	Yes (0-10V Low Voltage)
72626	LED/RT8/3000/935	120-277	8"	2x26W CFL	40	3000	75	3500K	90	50,000	Yes (0-10V Low Voltage)
72628	LED/RT8/3000/940	120-277	8"	2x26W CFL	40	3000	75	4000K	90	50,000	Yes (0-10V Low Voltage)
79740	LED/RT8/5000/830	120-277	8"	2x42W CFL	54	5000	92	3000K	82	50,000	Yes (0-10V Low Voltage)
79741	LED/RT8/5000/835	120-277	8"	2x42W CFL	54	5000	92	3500K	82	50,000	Yes (0-10V Low Voltage)
79742	LED/RT8/5000/840	120-277	8"	2x42W CFL	54	5000	92	4000K	82	50,000	Yes (0-10V Low Voltage)
75435	LED/RT8/5000/840/347V	347	8"	2x42W CFL	50	5000	100	4000K	82	50,000	No
79754	LED/RT8/8000/830	120-277	8"	150W HPS/175W MH	92	8000	87	3000K	82	50,000	Yes (0-10V Low Voltage)
79755	LED/RT8/8000/835	120-277	8"	150W HPS/175W MH	92	8000	87	3500K	82	50,000	Yes (0-10V Low Voltage)
79756	LED/RT8/8000/840	120-277	8"	150W HPS/175W MH	92	8000	87	4000K	82	50,000	Yes (0-10V Low Voltage)

*LED lamp life is defined as the number of hours when 50% of an average group of identical lamps reached 70% of its initial lumens.

Ordering Guide

LED	/	RT8	/	2000	/	8	/	30	/	347V
LED		Product Name		Light Output		8 = 80 CRI		Color		Input Voltage
		RT8		2000lm, 3000lm,		9 = 90 CRI		Temperature		347V
		8 = fits 8" frames		5000lm, 8000lm				3000K, 3500K,		
								4000K, 5000K		

Energy Savings

Basic Product Description	LED		Traditional Lamp Type	Lumens	Life	Watts Saved With RT8	RT8 Energy Savings*	RT8 Life Benefit
	Lumens	Life						
RT8 24W	2000	50,000	Compact Fluorescent	2400	16,000	Up to 15	\$82.50	3X
RT8 23W	2000	50,000	Compact Fluorescent	2400	16,000	Up to 19	\$104.50	3X
RT8 40W	3000	50,000	Compact Fluorescent	2400	16,000	Up to 24	\$132.00	3X
RT8 54W	5000	50,000	Compact Fluorescent	2400	16,000	Up to 30	\$165.00	3X
RT8 92W	8000	50,000	Compact Fluorescent	2400	16,000	Up to 41	\$225.00	3X

* Based on \$0.11/kWh over 50,000 hours life.

Accessories

RT8 Trim

75092 RT8TRIMALZAK
(white trim and aluminum inner trim)

75093 RT8TRIMSN

Trim Ring Extender

75083 RT8/10/TRIMEXT

74991 RT8/12/TRIMEXT

Rough In Frame

71709 LED/RT8/FRAME



Alzak 75092



Satin 75093

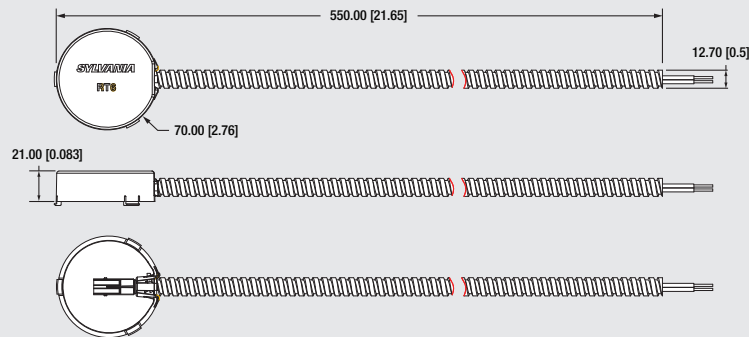
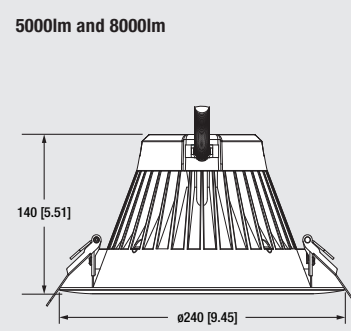
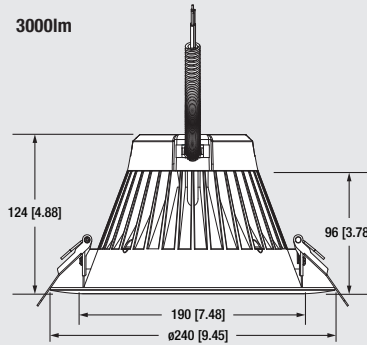
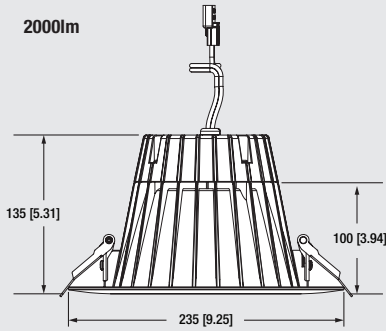


75083/74991



71709

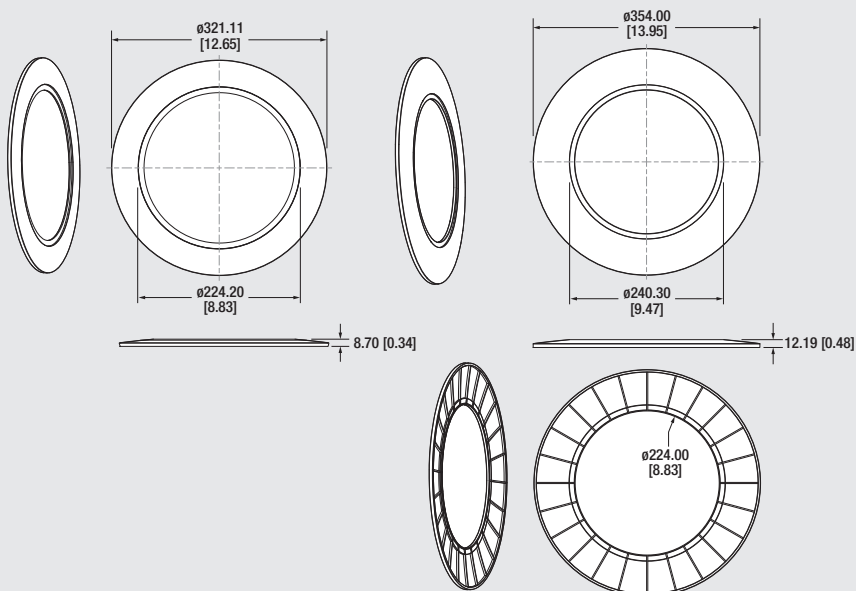
Assembly Diagram



Trim Ring Extenders

RT8/10

RT8/12

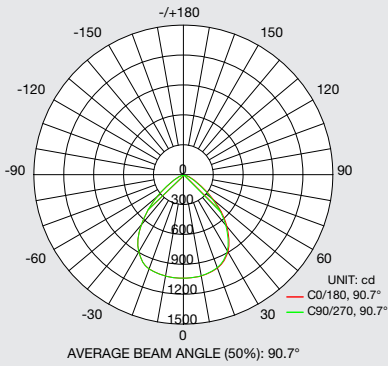


Dimensions are in mm [in]

Photometric Information

RT8 2000lm

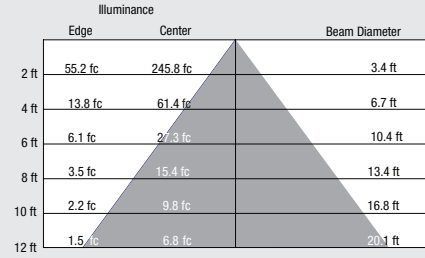
Polar Chart



Zonal Lumen Distribution

Zone	Lumens	% Retrofit Kit
0-20	384	19
0-30	822	41
0-40	1312	65
0-60	1943	97
0-80	2090	104
0-90	2106	105
10-90	2008	100
20-40	927	46
20-50	1330	66
40-70	734	3
60-80	146	67
70-80	43	2
80-90	16	0
0-180	2106	105

Illuminance at Distance



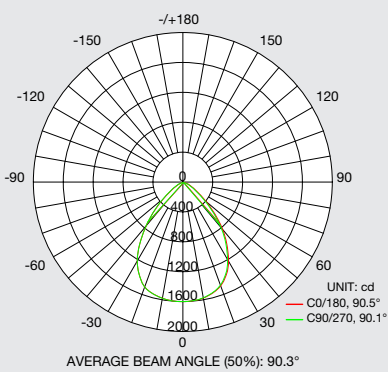
Vert. Spread: 75.5° Horiz. Spread: 75.1°

Spacing to Mounting Height Ratio

Spacing Criteria (0-180°)	1.16
Spacing Criteria (90-270°)	1.16
Spacing Criteria (Diagonal)	1.24

RT8 3000lm

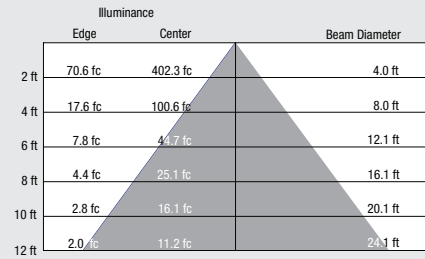
Polar Chart



Zonal Lumen Distribution

Zone	Lumens	% Retrofit Kit
0-20	576	17
0-30	1189	35
0-40	1871	56
0-60	2945	88
0-80	3289	98
0-90	3310	99
10-90	3159	95
20-40	1294	38
20-50	1916	57
40-70	1326	39
60-80	343	10
70-80	92	2
80-90	21	0.7
0-180	3326	100

Illuminance at Distance



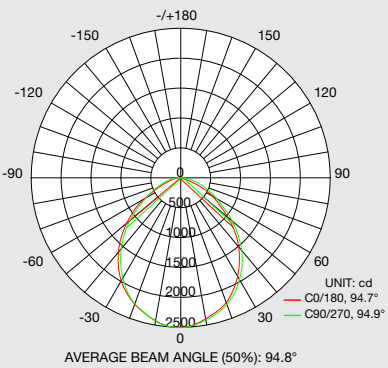
Vert. Spread: 75.5° Horiz. Spread: 75.1°

Spacing to Mounting Height Ratio

Spacing Criteria (0-180°)	1.14
Spacing Criteria (90-270°)	1.16
Spacing Criteria (Diagonal)	1.24

RT8 5000lm

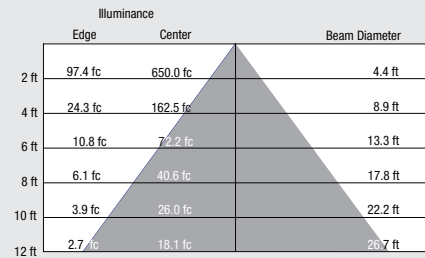
Polar Chart



Zonal Lumen Distribution

Zone	Lumens	% Retrofit Kit
0-20	930	16
0-30	1928	34
0-40	3061	54
0-60	4979	88
0-80	5618	99
0-90	5651	100
10-90	5407	95
20-40	2130	37
20-50	3211	56
40-70	2399	42
60-80	639	11
70-80	158	2
80-90	32	0.6
0-180	5651	100

Illuminance at Distance



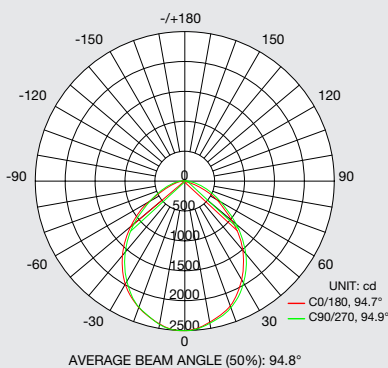
Vert. Spread: 75.5° Horiz. Spread: 75.1°

Spacing to Mounting Height Ratio

Spacing Criteria (0-180°)	1.16
Spacing Criteria (90-270°)	1.16
Spacing Criteria (Diagonal)	1.26

RT8 8000lm

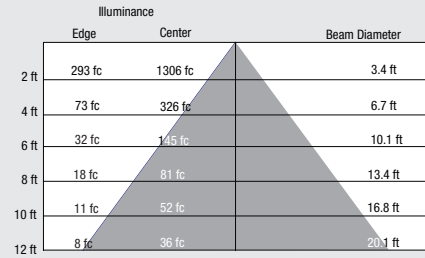
Polar Chart



Zonal Lumen Distribution

Zone	Lumens	% Retrofit Kit
0-20	1859	19
0-30	3843	39
0-40	5946	61
0-60	8593	88
0-80	9500	97
0-90	9594	98
10-90	9103	93
20-40	4086	42
20-50	5741	59
40-70	3226	33
60-80	906	9
70-80	327	3
80-90	94	1
0-180	9735	100

Illuminance at Distance



Vert. Spread: 75.5° Horiz. Spread: 75.1°

Spacing to Mounting Height Ratio

Spacing Criteria (0-180°)	1.16
Spacing Criteria (90-270°)	1.16
Spacing Criteria (Diagonal)	1.26

Application Information

Application Notes

1. Operating temperature range between -4°F and +104°F (-20°C and +40°C).
2. Suitable for indoor/outdoor use, including dry, damp and wet location environments.
3. Designed to install in standard 8" CFL mounting frame. For a list of compatible housings, please refer to www.sylvania.com/RT8.
4. For detailed warranty information, please see www.sylvania.com/RT8.
5. For installation in non-insulated ceilings: If insulation is present, it may be placed around the retrofit kit as long as a three-inch space is maintained around the kit.
6. Installation performed as a stand-alone kit (without frame) is recommended for hard ceiling. Installation of a recessed incandescent frame is recommended for tiled ceiling application for proper support of the retrofit kit.
7. Compatible with Philips Bodine model ELI-S-20 and IOTA model IIS-125 Emergency Lighting Inverters.

LEDVANCE LLC
200 Ballardvale Street
Wilmington, MA 01887 USA
Phone 1-800-LIGHTBULB (1-800-544-4828)
www.sylvania.com

SYLVANIA and LEDVANCE are registered trademarks.
All other trademarks are those of their respective owners.
Licensee of product trademark SYLVANIA in general lighting.
Specifications subject to change without notice.

 /sylvania  /sylvania

