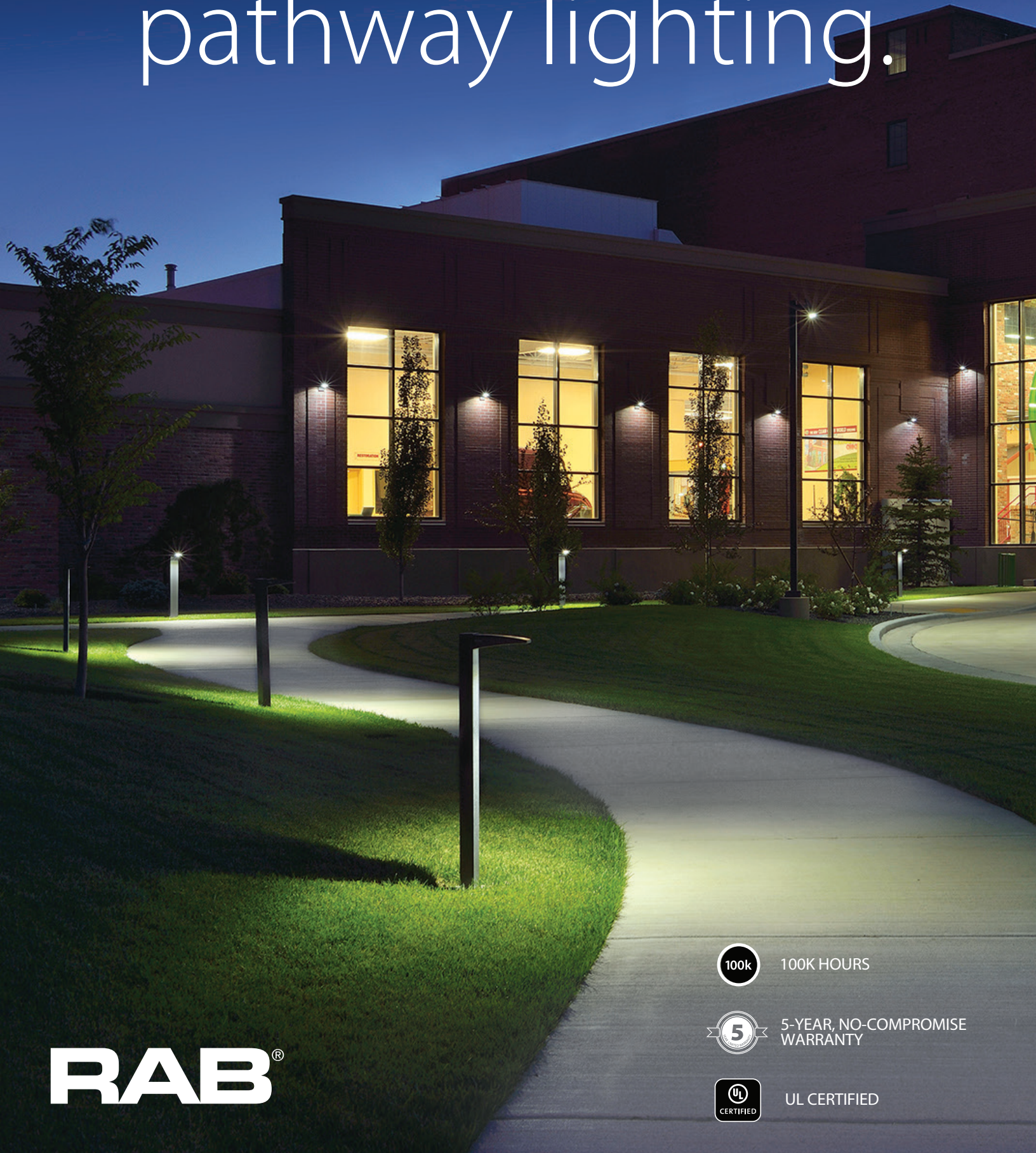


BLED—The perfect pathway lighting.



100K HOURS



5-YEAR, NO-COMPROMISE WARRANTY



UL CERTIFIED

RAB[®]



5W models are offered in square and round formats and can be ordered as either 1-sided or 2-sided.



BLEDs are built to last, with a durable, die-cast aluminum housing and anchor bolts for stable mounting.

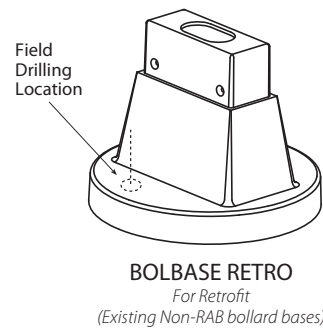
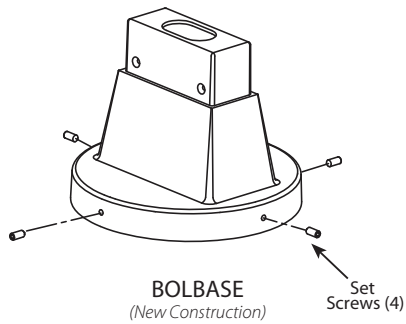


10W & 13W models can also be ordered as 1-sided or 2-sided.



Their low-profile design makes BLED bollards ADA Compliant.

Mounting Options



Ordering Matrix



Product Family	Shape	Wattage	Height	Color Temp.	Finish					
BLED	Blank R	Square Round	5 2x5	5W 10W	18 36 42	18" 36" 42"	Blank N Y	5000K 4000K 3000K	Blank W	Bronze White



Product Family	Wattage	Color Temp.	Finish	Photocell				
BLED	10 2x10 13 2x13	10W 20W 13W 26W	Blank N Y	5000K 4000K 3000K	Blank W	Bronze White	/PC	120V Photocell