

Project:	Type:	Prepared By:	Date:
-----------------	--------------	---------------------	--------------



Features and Benefits

- Field Adjustable 3 CCTs in 1 SKU (3000K, 3500K, 4000K)
- Replaces 18W/26W/32W G24d & G24q CFL Lamps
- Plug and Play on existing Magnetic CFL ballasts or can be wired directly to line voltage without need for an external driver or ballast
- Compatible with G24d / GX24d & G24q / GX24q installations
- Instant-on with no warmup, unlike CFLs
- Lasts 5x longer than compact fluorescent lamps
- Consumes up to 1/3 the energy of conventional CFL
- Base rotates, direct light where needed on Horizontal models
- 50,000 hour Lifespan
- Environmentally friendly, no mercury used
- UL Listed, UL Classified
- Rated for use in enclosed and open fixtures in dry or damp locations
- Non-Dimmable
- 5 Year No Compromise Warranty

Technical Specifications		
Performance <hr/> Product Type: Compacts Input Wattage: 8.5W Lumens: 1100/1120/1150lm Efficacy: 129/132/135lm/W L70 Lifespan: 50,000-Hour LED lifespan based on IES LM-80 results and TM-21 calculations Wattage Equivalency: 26W/32W G24d & G24q LED Characteristics <hr/> Color Accuracy (CRI): 80 Color Temperature: 3000K/3500K/4000K	Electrical <hr/> THD: 20% Power Factor: >0.9 Dimmable: Non-Dim Input Voltage: 120-277 Type B (Type A dependent on ballast) Operating Frequency: 50/60Hz Operating Temperature: -20°C to 45°C (-4°F to 113°F) Construction <hr/> Bulb Shape: PLC-Vertical Enclosure Material: Polycarbonate	Housing Finish: White Lens Finish: Frosted Base Type: 2-Pin G24d Optical <hr/> Beam Angle: 120° Installation <hr/> Installation Method: UL Type A with Magnetic Ballasts & UL Type B (Dual Mode) Burning Position: Vertical Other <hr/> Technology EQ: CFL

Technical Specifications (continued)

Warranty:

RAB warrants that our LED products will be free from defects in materials and workmanship for a period of five (5) years from the date of delivery to the end user, including coverage of light output, color stability, driver performance and fixture finish. RAB's warranty is subject to all terms and conditions found at rablighting.com/warranty.

Compliance

Listings:

UL Listed, UL Classified

Environment:

Damp / Open

RoHS:

Mercury and UV free. RoHS-compliant components.

FCC:

Complies with Part 15B of the FCC Rules

Certification Model Number:

T10201(PLC-8.5-V-8FA-HYB)

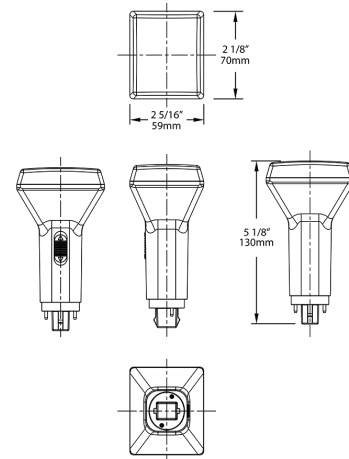
Minimum Compartment Size

Length x Width x Height [in]	Lamp Quantity
9	1

Case and Pallet Dimensions

	QTY	LENGTH (in)	WIDTH (in)	HEIGHT (in)
CASE	12	0	0	0
PALLET	281	0	0	0

Dimension



Light Distribution

