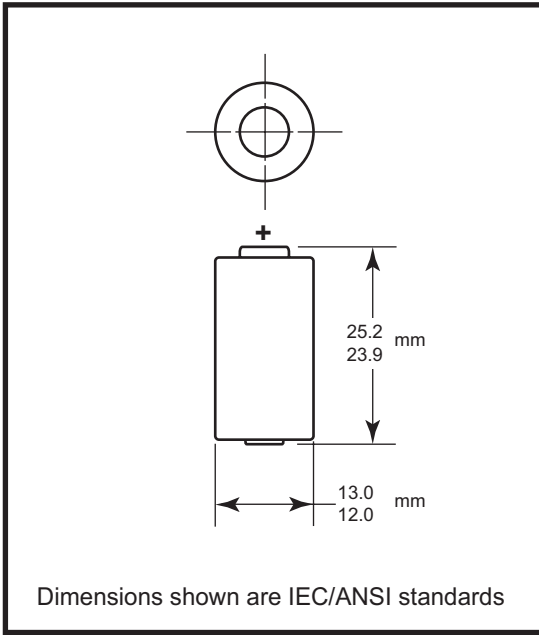
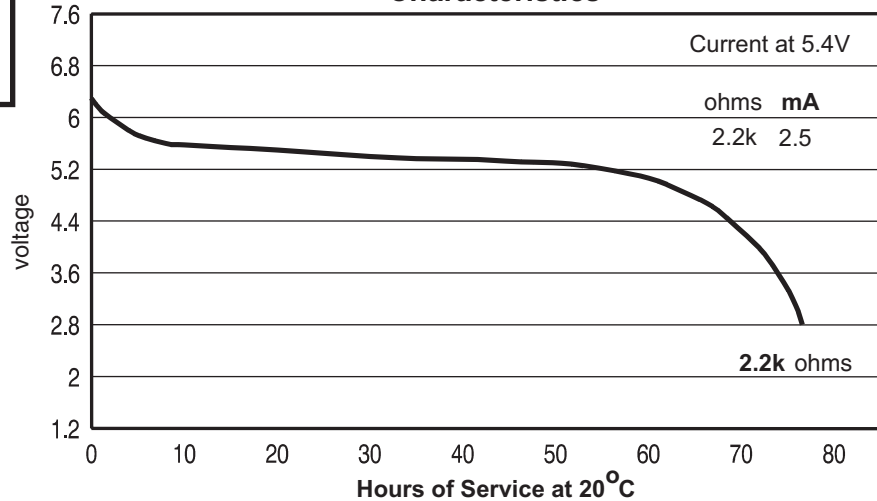


## Lithium/Manganese Dioxide Battery

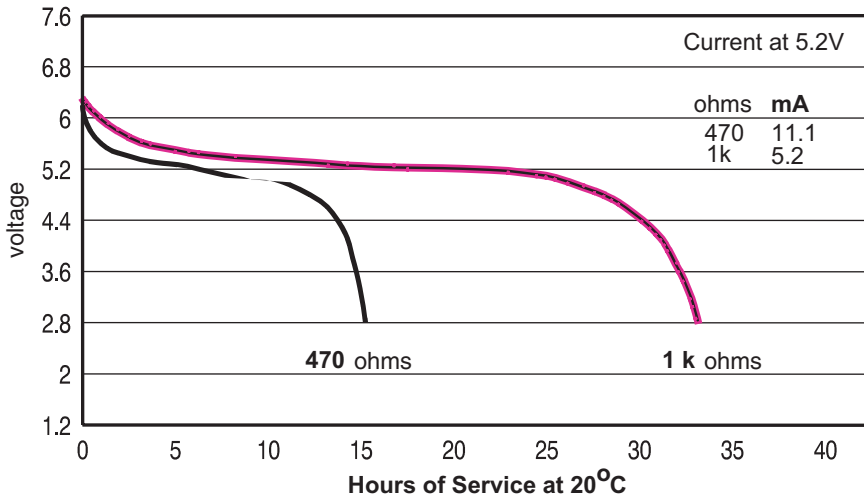


Nominal Voltage:	6.0 V
Typical Voltage:	6.0-6.6 V
Nominal Internal Impedance:	700 m-ohm @ 1kHz
Average Weight:	9.4 gm
Volume:	2.8 cm <sup>3</sup>
Terminals:	Flat, cap and base
Operating Temperature Range:	-20°C to 60°C (-4°F to 140°F)
NEDA/ANSI:	1406LC
IEC:	2CR11108

**Typical Discharge Characteristics**



**Typical Discharge Characteristics**



**DURACELL®**  
BATTERIES

\* Delivered capacity is dependent on the applied load, operating temperature and cut-off voltage. Please refer to the charts and discharge data shown for examples of the energy / service life that the battery will provide for various load conditions.

# DURACELL®

## SPECIFICATION SUMMARY:

## SELECTED PRODUCTS

### LITHIUM PRIMARY CELLS & BATTERIES

DURACELL® lithium-manganese dioxide batteries represent one of the latest advances in primary battery technology. For applications with a high current pulse (e.g., photoflash) and continuous drain, Duracell offers high rate 3 and 6-volt lithium batteries. Low power lithium coin cells are also available for use in memory backup applications and small electronic devices. All DURACELL® lithium batteries offer high energy density, excellent rate capability, great low temperature performance<sup>(1)</sup>, and excellent shelf life.

DURACELL PRODUCT NUMBER	SIZE	NOMINAL VOLTAGE (V)	DIMENSIONS <sup>(2)</sup>						NOMINAL WEIGHT		NOMINAL VOLUME		CROSS REFERENCE	
			MAXIMUM		MAXIMUM		MAXIMUM		g	oz.	cm <sup>3</sup>	in <sup>3</sup>	ANSI	IEC
			mm	in.	mm	in.	mm	in.						

#### CYLINDRICAL PHOTO

#### LITHIUM BATTERIES

	SIZE	NOMINAL VOLTAGE (V)	DIAMETER		HEIGHT								ANSI	IEC
			mm	in.	mm	in.								
123	1 x 2/3A	3.0	17.0	0.67	34.5	1.36	-	-	17.0	0.60	7.18	0.44	5018LC	CR17345
1/3N	1 x 1/3N	3.0	11.6	0.46	10.8	0.43	-	-	3.3	0.12	1.13	0.07	5008LC	CR11108
CR2	CR2	3.0	15.6	0.61	27.0	1.06	-	-	11.0	0.39	5.16	0.31	CR2	-
PX28L	2 x 1/3N	6.0	25.2	0.99	13.0	0.51	-	-	9.4	0.33	2.8	0.17	1406LC	2CR11108

#### PHOTO LITHIUM MULTICELL

#### BATTERIES

	SIZE	NOMINAL VOLTAGE (V)	HEIGHT		WIDTH		THICKNESS						ANSI	IEC
			mm	in.	mm	in.	mm	in.						
245	2 x 2/3A	6.0	45.0	1.77	34.0	1.34	17.0	0.67	38.6	1.36	24.1	1.47	5032LC	2CR5
223	2 x 2/3A	6.0	36.0	1.42	35.0	1.38	19.5	0.77	38.0	1.34	22.6	1.38	5024LC	CR-P2
CR-V3	2 x AA	3.0	52.2	2.06	28.6	1.13	14.6	0.58	39.0	1.38	21.9	1.34	-	-

#### COIN CELLS

	SIZE	NOMINAL VOLTAGE (V)	DIAMETER		HEIGHT								ANSI	IEC
			mm	in.	mm	in.								
DL2016	COIN	3.0	20.0	0.79	1.6	0.06	-	-	1.8	0.06	0.50	0.03	5000LC	CR2016
DL2025	COIN	3.0	20.0	0.79	2.5	0.10	-	-	2.2	0.08	0.79	0.05	5003LC	CR2025
DL2032	COIN	3.0	20.0	0.79	3.2	0.13	-	-	2.8	0.10	1.00	0.06	5004LC	CR2032
DL2430	COIN	3.0	24.5	0.97	3.0	0.12	-	-	4.0	0.14	1.41	0.09	5011LC	CR2430
DL2450	COIN	3.0	24.5	0.97	5.0	0.20	-	-	6.2	0.22	2.36	0.14	5029LC	CR2450

(1) Operating temperature range is -20°C to 60°C (-4°F to 140°F)

(2) Dimensions are IEC/ANSI standards.