



Contractor-grade retrofit downlights offered with up to 5 field selectable color temperatures in 1 model. Options available with a smooth or baffle trim.

Color: White

Weight: 0.8 lbs

Project:	Type:
Prepared By:	Date:

Driver Info		LED Info	
Type	Constant Current	Watts	14W
120V	N/A	Color Temp	2700K/3000K/3500K/4000K/5000K
208V	N/A	Color Accuracy	90 CRI
240V	N/A	L70 Lifespan	50,000 Hours
277V	N/A	Lumens	1,200 lm
Input Watts	14W	Efficacy	86

Technical Specifications

Performance

Product Type:

Recessed Retrofit

Description:

Contractor-grade retrofit downlights offered with up to 5 field selectable color temperatures in 1 model.

Wattage Equivalency:

100W Incandescent

Input Wattage:

14W

Lumens:

2700K @ 1,235lm; 3000K @ 1,272lm; 3500K @ 1,315lm; 4000K @ 1,321lm; 5000K @ 1,283lm

Efficacy:

2700K @ 90lm/W; 3000K @ 94lm/W; 3500K @ 99lm/W; 4000K @ 99lm/W; 5000K @ 95lm/W

L70 Lifespan:

50,000-Hour LED lifespan based on IES LM-70 results

Electrical

THD:

≤20%

Power Factor:

≥0.9

Dimmable:

Yes, dims down to 10% on compatible TRIAC/ELV system.
See Dimmer Compatibility List.

Input Voltage:

120V

Operating Frequency:

60 Hz

Operating Temperature:

-4°F to 104°F (-20°C to 40°C)

LED Characteristics

Color Temperature:

Field adjustable via dip switch
2700K/3000K/3500K/4000K/5000K

Color Accuracy (CRI):

>90 CRI

R9 Value:

High color performance with R9 greater than or equal to 50

Color Consistency:

<4-step MacAdam Ellipse binning to achieve consistent fixture-to-fixture color

Color Stability:

LED color temperature is warrantied to shift no more than 200K in color temperature over a 5-year period

Color Uniformity:

RAB's range of Correlated Color Temperature follows the guidelines of the American National Standard for Specifications for the Chromaticity of Solid State Lighting (SSL) Products, ANSI C78.377-2017.

Installation

Mounting:

Recessed Housing

Construction

Size:

6"

Shape:

Round

Finish:

White

Enclosure Material:

Metal

Technical Specifications (continued)**Trim Style:**

Smooth

Lens:

Polycarbonate light diffuser distributes light evenly and smoothly for general lighting applications

Cut Out Template Size:

6 5/16"

Compliance**Listings:**

UL Listed, UL Recognized

Environment:

Suitable for use in dry, damp, and wet environments.

IC Rated:

No

Air Tight:

No

Energy Star Approved:

This product is ENERGY STAR® Version 2.2 Certified

DLC Listed:

No

Certification Model Number:

DLR0124(R6R149FA120WS)

T20 Compliant:

Can be used to conform with the requirements of California Title 20

California Title 24 JA8 Compliant:

Can be used to conform with the requirements of California Title 24 Part 6

California Energy Commission (CEC) Status:

Lawful for Sales in California

NEC Compliant:

Suitable for use in closets. Compliant with NEC Sec. 410.16 (A)(1) and 410.16 (C3).

IESNA LM-79 & LM-80 Testing:

RAB LED luminaires and LED components have been tested by an independent laboratory in accordance with IESNA LM-79 and LM-80.

RoHS:

Mercury and UV free. RoHS-compliant components.

FCC:

Complies with Part 15B of the FCC Rules

Other**Accessories:**[RFLED-RETROBAND](#)

Retrofit Band

[RFLED-GOOF-6R-8R-W](#)

6"-8" Goof Ring

[DLTRIM/R6RS-BN](#)

6" Smooth Brushed Nickel Color Trim

[DLTRIM/R6RS-BRZ](#)

6" Round Smooth Bronze Color Trim

[DLTRIM/R6RS-B](#)

6" Round Smooth Black Color Trim

[DRI-25-EMGR-DC](#)

Battery Backup Driver

[DRI-21-EMGR-DC-D10](#)

Battery Backup Driver T20

Warranty:

RAB warrants that our LED products will be free from defects in materials and workmanship for a period of five (5) years from the date of delivery to the end user, including coverage of light output, color stability, driver performance and fixture finish. RAB's warranty is subject to all terms and conditions found at rablighting.com/warranty.

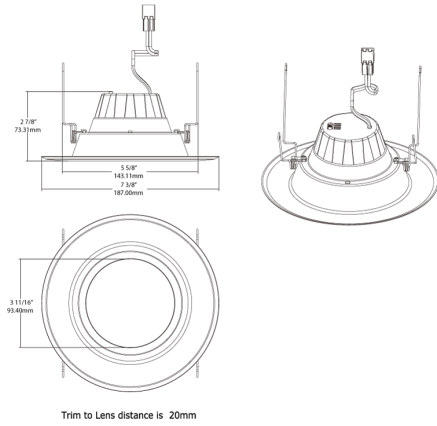
Note:

All values are typical (tolerance +/- 10%)

Buy American Act Compliance:

RAB values USA manufacturing! Upon request, RAB may be able to manufacture this product to be compliant with the Buy American Act (BAA). Please contact customer service to request a quote for the product to be made BAA compliant.

Dimensions



Features

- Use to replace traditional halogen and incandescent light sources
- Durable metal construction: dent and scratch resistant
- 5 Color temperature selectable 2700K, 3000K, 3500K, 4000K, & 5000K
- Compatible with most standard recessed housings
- Color trims sold separately

Ordering Matrix

Family	Size	Shape	Wattage	CRI/Color Temp	Voltage	Finish	Trim
R	6	R	14	9FA	120	W	S
	4 = 4" 6 = 6"	R = Round	8 = 8W 10 = 10W 11 = 11W 14 = 14W	9FA = 90 CRI, CCT Adjustable	120 = 120V	W = White	B = Baffle S = Smooth