

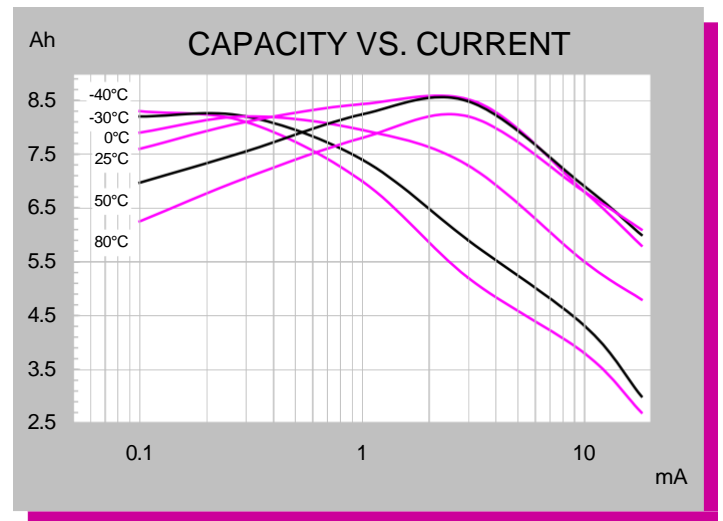
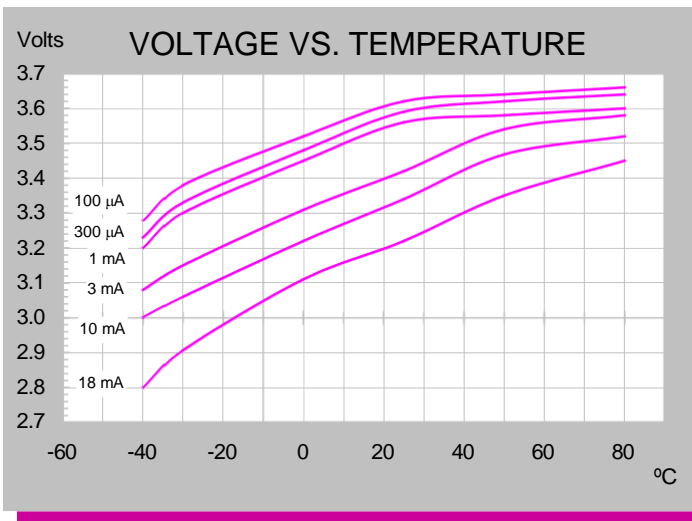
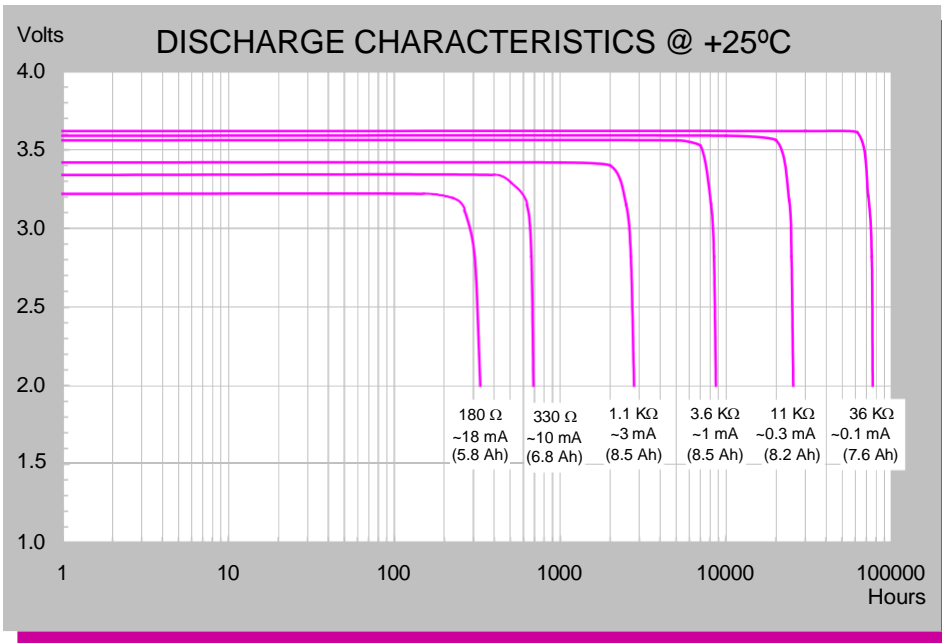
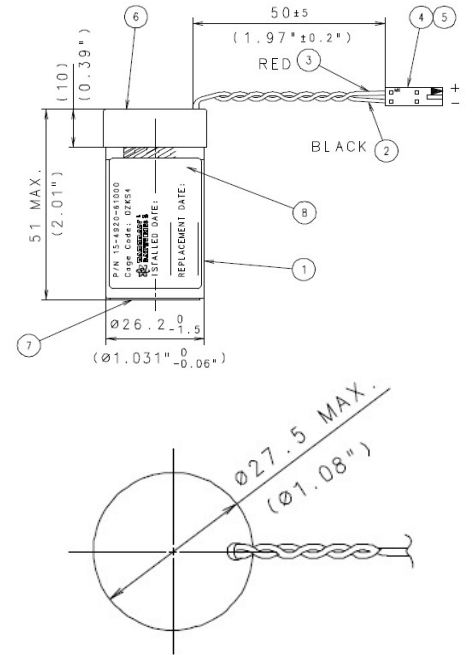
MODEL TL-4920/V

International size reference: C, ER26500

TECHNICAL DATA

(Typical values @ +25°C for batteries stored for one year or less)

■ Nominal capacity @ 3 mA, to 2 V	8.5 Ah
■ Rated voltage	3.6 V
■ Maximum recommended continuous current	75 mA
■ Maximum 1 sec. pulse capability	200 mA
■ Weight	49.5 g (1.746 oz)
■ Volume	26 cc
■ Operating temperature range	-55 °C to +85 °C
■ U.L. Component Recognition, MH 12193	



XOL - Extended Operating Life

Note: Any presentations in this data sheet concerning performance are for information purpose only and are not construed as warranties either expressed or implied, of future performance. ECN 1501174 Rev. C 01/06