



Ultra-economy field adjustable X17 is available in three sizes and a total of 6 lumen packages, all with a wide 7H x 7V NEMA distribution that makes them the optimal floodlight for a large variety of general-purpose applications. 0-10V dimming is standard on all models.

Color: Bronze

Weight: 2.7 lbs

Project:

Type:

Prepared By:

Date:

### Driver Info

|             |                  |
|-------------|------------------|
| Type        | Constant Current |
| 120V        | 0.15A            |
| 208V        | 0.08A            |
| 240V        | 0.07A            |
| 277V        | 0.06A            |
| Input Watts | 15.5/14.9/15.5W  |

### LED Info

|                |                        |
|----------------|------------------------|
| Watts          | 15W                    |
| Color Temp     | 3000K/4000K/5000K      |
| Color Accuracy | 83/85/84 CRI           |
| L70 Lifespan   | 100,000 Hours          |
| Lumens         | 2097/2259/2194 lm      |
| Efficacy       | 135.4/151.9/141.9 lm/W |

## Technical Specifications

### Field Adjustability

#### Field Adjustable:

Color temperature selectable by 3000K, 4000K and 5000K

### Compliance

#### UL Listed:

Suitable for wet locations

#### IESNA LM-79 & LM-80 Testing:

RAB LED luminaires and LED components have been tested by an independent laboratory in accordance with IESNA LM-79 and LM-80.

#### IP Rating:

Ingress protection rating of IP65 for dust and water

#### DLC Listed:

This product is listed by Design Lights Consortium (DLC) as an ultra-efficient premium product that qualifies for the highest tier of rebates from DLC Member Utilities. Designed to meet DLC 5.1 requirements.

DLC Product Code: PLRUPLB1XTEV

### Electrical

#### Driver:

Constant Current, Class 2, 120-277V, 50/60Hz, 120V: 0.15A, 208V: 0.08A, 240V: 0.07A, 277V: 0.06A

#### Dimming Driver:

Driver includes wiring for 0-10V dimming systems. Dim as low as 10%.

#### THD:

11.63% at 120V, 15.58% at 277V

#### Power Factor:

98% at 120V, 90.6% at 277V

#### Photocell:

120-277V selectable photocell that can be turned on and off.

#### Surge Protection:

CM: 2.5kV  
DM: 2.5kV

### LED Characteristics

#### LEDs:

Long-life, high-efficacy, surface-mount LEDs

#### Color Uniformity:

RAB's range of Correlated Color Temperature follows the guidelines of the American National Standard for Specifications for the Chromaticity of Solid State Lighting (SSL) Products, ANSI C78.377-2017.

### Construction

#### Cold Weather Starting:

The minimum starting temperature is -40°C (-40°F)

#### Maximum Ambient Temperature:

Suitable for use in up to 40°C (104°F)

#### Housing:

Precision die-cast aluminum

#### Mounting:

Robust knuckle mount with 180° adjustable swivel arm. Tilt angle in 10° increments.

#### Lens:

Tempered glass

#### Reflector:

Polycarbonate

#### Finish:

Formulated for high durability and long-lasting color

#### Green Technology:

Mercury and UV free. RoHS-compliant components.

### Optical

#### NEMA Type:

NEMA Beam Spread of 7H x 7V

## Technical Specifications (continued)

### Other

#### 5 Yr Limited Warranty:

The RAB 5-year, limited warranty covers light output, driver performance and paint finish. RAB's warranty is subject to all terms and conditions found at [rablighting.com/warranty](http://rablighting.com/warranty).

#### Note:

All values are typical (tolerance +/- 10%)

#### Buy American Act Compliance:

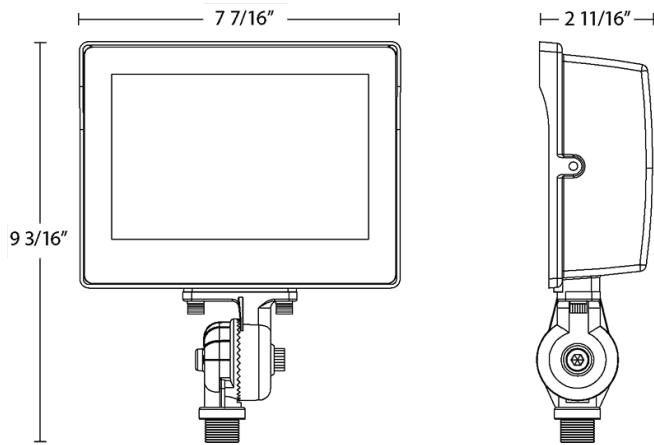
RAB values USA manufacturing! Upon request, RAB may be able to manufacture this product to be compliant with the Buy American Act (BAA). Please contact customer service to request a quote for the product to be made BAA compliant.

### Performance

#### Wattage Equivalency:

Equivalent to 70W Metal Halide

## Dimensions



## Features

- DLC Premium listed
- IP65 Rated
- 100,000-Hour LED lifespan
- 5-Year, limited warranty

## Ordering Matrix

| Family | Field Adjustability         | Wattage  | Mounting   | Color Temp                           | Finish                         | Voltage                      | Options                      |
|--------|-----------------------------|--|--|--------------------------------------|--------------------------------|------------------------------|------------------------------|
| X17    | FA                          | 15   |  |                                      |                                |                              |                              |
|        | FA = 2-Way Field Adjustable | 15 = 15W<br>35 = 35W<br>60 = 60W<br>80 = 80W<br>105 = 105W<br>140 = 140W | Blank = Knuckle<br>SF = Slipfitter<br>T = Trunnion | Blank = 3000K/4000K/5000K Adjustable | Blank =<br>Bronze<br>W = White | Blank = 120-277V /480 = 480V | Blank = Selectable photocell |
|        |                             | 15 = 15W<br>35 = 35W<br>60 = 60W<br>80 = 80W<br>105 = 105W<br>140 = 140W |  |                                      |                                |                              |                              |